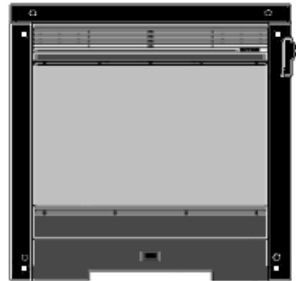


(Model 2740 / 2741) 2kw Electric Heater Fire User / Installation Instructions

Model 2740 16" Pryzm Fire



Model 2741 22" Pryzm Fire



These instructions should be read carefully and retained for future reference.

CONTENTS

1. Important Notes	1-3
2. Technical Specification / Parts List.....	4
3. Fire Installation	5 - 6
4. Trim Installation.....	7 – 9
5. Adding Fuel Bed Logs.....	10
6. Operation By Manual Control.....	11
7. Operation By Remote Control	12 - 18
8. Maintenance.....	19
9. Electric Fire Guarantee	20
10. Electric Fire Approval Standards / Disposal.....	2

IMPORTANT NOTES

- **Read all of the instructions carefully before using the appliance.**
- **For indoor use only.** This appliance is not suitable for use outside the house and **only suitable for well insulated spaces or occasional use.**
- Do not use this appliance in the immediate surroundings of a bath, a shower or a swimming pool.
- Do not use this fire as a free-standing appliance. It must always be fixed to the wall, fireplace mantel, floor etc.
- This fire must not be located immediately below a socket-outlet.
- This appliance must not be supplied through an external switching device, such as a timer, or connected to the circuit that is regularly switched on and off by utility in order to avoid a hazard due to the inadvertent resetting of the thermal cut out.
- A non-rewirable plug fitted with a 13A fuse is supplied. Should the fuse or plug need replacing, and you are competent to do so, it must be replaced with a 13A fuse or plug being 13A BS1363A approved.
- If the power cord is damaged, it must be repaired by the manufacturer, its authorised service centre or professional person.
- **Do not cover:** warning: in order to avoid overheating, do not cover the appliance.

- To reduce the risk of fire, keep textiles, curtains, or any other flammable material a minimum distance of 1 meter from the air outlet.
- Keep the power cord away from hot surfaces and hot conditions. Do not route the power lead in front of the appliance.
- Do not use this fire in rooms that have explosive gas in them (for example petrol), or if you are using solvents, glue, aerosol spray or in flammable paints, as these may catch fire.
- This appliance can be used by children aged from 8 years and above and persons with reduced physical, sensory or mental capabilities or lack of experience and knowledge if they have been given supervision or instruction concerning use of the appliance in a safe way and understand the hazards involved.
- Children shall not play with the appliance.
- Cleaning and user maintenance shall not be made by children without supervision.
- Children of less than 3 years should be kept away unless continuously supervised.
- Children aged from 3 years and less than 8 years shall only switch on/off the appliance provided that it has been placed or installed in its intended normal operating position and they have been given supervision or instruction concerning use of the appliance in a safe way and understand the hazards involved. Children aged from 3

years and less than 8 years shall not plug in, regulate and clean the appliance or perform user maintenance.

- Caution: some part of this appliance can become very hot and cause burns. Particular attention has to be given where children and vulnerable people are present.
- This appliance must be positioned so that the plug/fused spur is accessible.
- In the event of a fault please disconnect the fire from the mains supply.
- Warning: This appliance must be earthed.
- Keep the power plug accessible after installation.

TECHNICAL SPECIFICATION

Model No.: 2740, 2741

Supply Voltage: AC 230-240V 50Hz

Maximum power consumption: 2KW

Power for flame effect: 8.8W (LED 4.8W + Motor for flame 4W)

Heat Output:

Nominal heat output (Pnom): 2KW

Minimum heat output (indicative) (Pmin): 1KW

Maximum continuous heat output (Pmax): 2KW

Auxiliary Electricity Consumption:

At nominal heat output (elmax): 12.5W

At minimum heat output (elmin): 12W

In standby mode (elSB): 0.48W

Type of heat output / room temperature control

Single stage heat output and no room temperature control	No
Two or more manual stages, no room temperature control	No
With mechanic thermostat room temperature control	No
With electronic room temperature control	Yes
Electronic room temperature control plus day timer	Yes
Electronic room temperature control plus week timer	Yes

Other Control Options

Room temperature control, with presence detection	No
Room temperature control, with open window detection	Yes
With distance control option	No
With adaptive start control	Yes
With working time limitation	No
With black bulb sensor	No

PARTS LIST

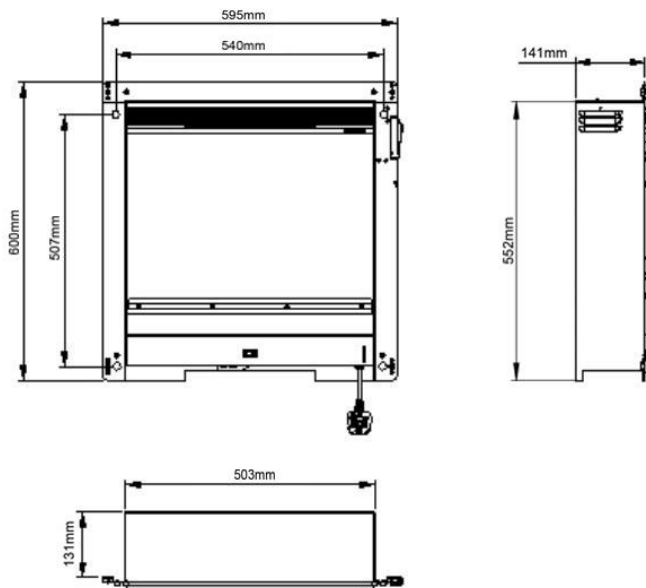
Please unpack carefully ensuring that any loose parts and all packing items are removed. Read any warning labels carefully (see Maintenance Section). Place waste packaging back into box and dispose of RESPONSIBLY.

- | | | | |
|-----------------------|------|--------------------|-----|
| 1. Remote Control | 1pc | 4. Flat Fuel Bed | 1pc |
| 2. AAA Battery | 2pcs | 5. Curved Fuel Bed | 1pc |
| 3. Instruction Manual | 1pc | | |

FIRE INSTALLATION

Dimension

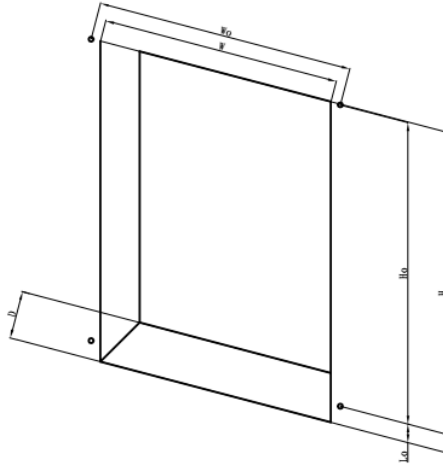
Unit: mm



Before You Start

- The appliance Data Plate is located Underneath the Heater box–Disconnect from the mains supply before removing the Glass as described in the maintenance section.
- Required for installation: 4 off screws and plugs suitable for the wall media (Not supplied).
- The surround / appliance must be positioned so that plug (fused spur) is accessible. Only when you are certain that you have completed the installation should you plug in and switch on at the wall socket.
- This fire should not be installed into an open / existing fireplace without the opening being professionally blanked off to reduce the risk of a back draught, which could cause the safety cut-out to operate.
- Check that the supply voltage details on your flame effect fire are in accordance with your electrical supply. Your fire is fitted with a plug incorporating a 13 Amp fuse. In the event of replacing the fuse in the plug supplied, a 13 Amp fuse approved by ASTA to BS 1362 must be used. Before switching on, please read the following fire installation instructions.

- Fixings supplied: (unit: mm)



Fire	Opening Size For Insert			Positions for Fixing Screw		
Model	W	D	H	Wo	Ho	Lo
16" Version	413	≥145	565	465	545	33.5
22" Version	515	≥145	565	540	510	33.5

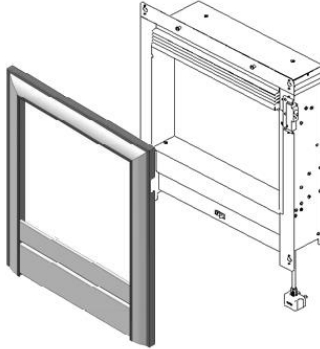
Installation

- Ensure that the mains power is isolated to the fire plug / socket point.
- Offer the fire into the opening.
- Mark on the wall the positions of the fixing points on the side flanges of the fire.
- Remove the fire from the opening.
- Drill and plug the wall holes using suitable fixings.
- Connect the fire to the plug / socket.
- Offer the fire back into the opening and using suitable screws fix the fire in position.
- Fit the trim to the magnets provided on the fire.
- Restore power to the plug / socket.

Trim Installation

Flat Trim

- Use four magnets to secure the trim to the fireplace.



Curved Trim

- Exchange the flat fuel bed for the curved fuel bed.
- Unscrew the two self-tapping screws ST4 x 12 on both sides of the fuel bed and remove the fuel bed as shown below in figure 1:

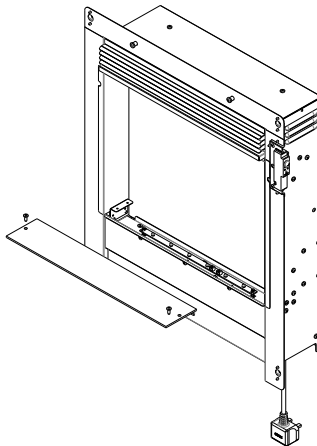


Figure 1

- Unscrew the two self-tapping screws ST4 x 8 from the fuel bed fixing bracket, change the hole position from the top two holes to the bottom two holes and refit the brackets using the two self-tapping screws ST4 x 8 as shown in figure 2 below:

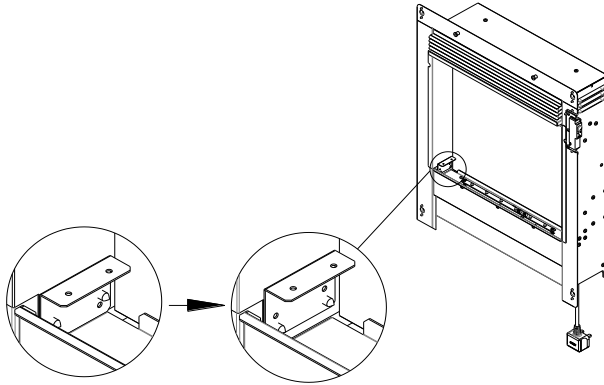


Figure 2

- The fuel bed reflector plate is fixed behind the front panel with two ST4 x 8 self-tapping screws fastened from the front as shown below in figure 3

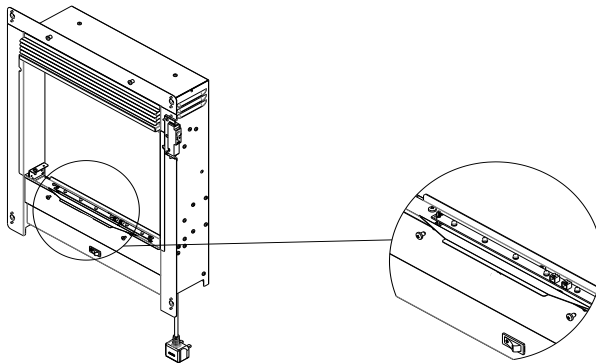


Figure 3

- Place the curved fuel bed panel on the bracket ensuring the rear of the bed is against the screen, fix in position using two self-tapping ST4 x 12 screws as shown below in figure 4:

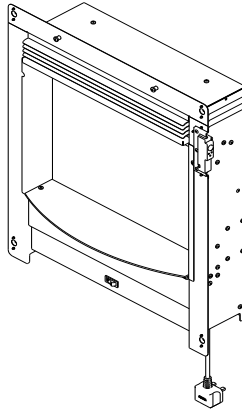
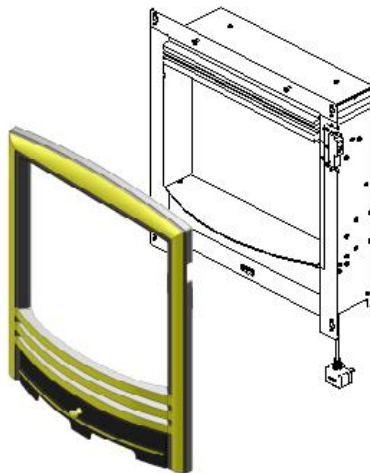


Figure 4

- Use four magnets to secure the trim to the fireplace.



ADDING THE FUEL BED LOGS

- Position the three decorative logs as per below image

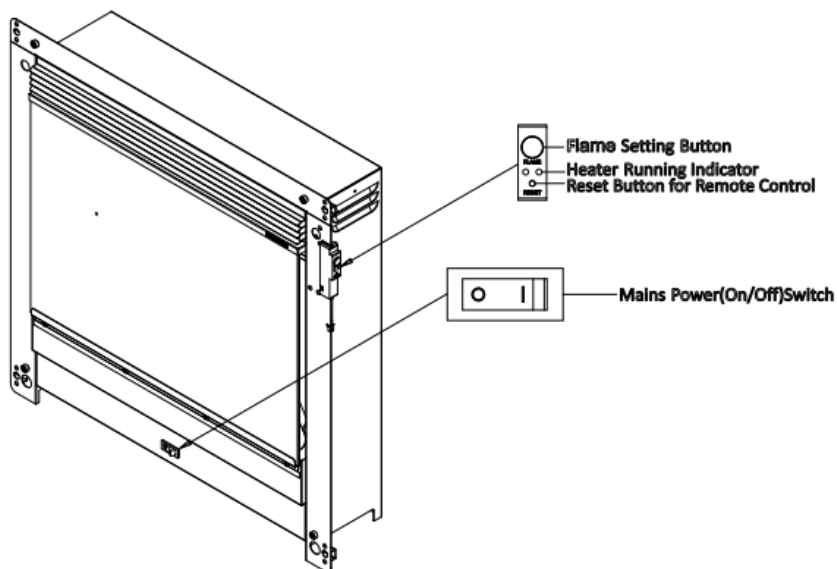
Curved trim option



Flat trim option



OPERATION BY MANUAL CONTROL



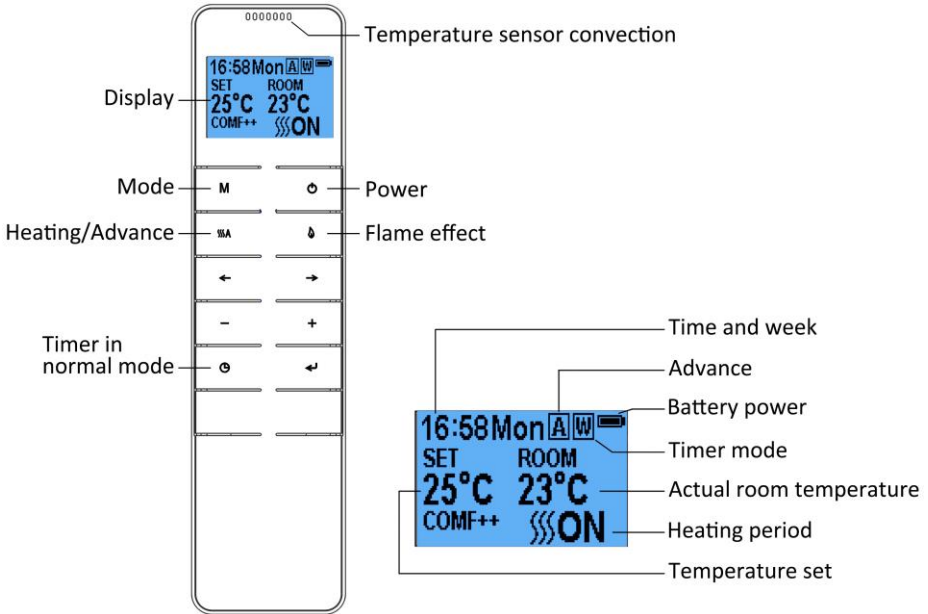
NOTE: The manual button controls basic functions, not a full range of controls. Use the remote handset to carry out all functions.

The manual buttons are located on the appliance as showed in the picture.

Press “FLAME” button to select the colour of flame (3 kinds) or return to the “OFF” position.

NOTE: The controls on appliance will lose the memory for all function settings when the switch is set to the “Off” Position. When the remote runs out of power or when you change the batteries, only the flame function will lose memory and will not affect the timer settings, however, the clock may need adjusting.

OPERATION BY REMOTE CONTROL



NOTE: This is thermostatic remote control. The remote should be in the same room as the fireplace and placed on a flat surface. It must be placed away from the fire so the hot air will not blow onto it and affect thermostatic reading.

The communication frequency between the fire and remote has already been set up. If you cannot use the remote with the fire, please follow instructions Step.R31 to initiate this connection.


Standby for Remote Handset

R1 The screen shown to the right is when the remote handset is in standby mode.




Before Day / Time set up

Turn on/off

R2 Press  to turn on the flame effect or turn off the flame effect and heater when in normal mode.




After Day / Time set up

R3 Press  to turn on / off the flame effect under daily and weekly timer mode.

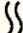




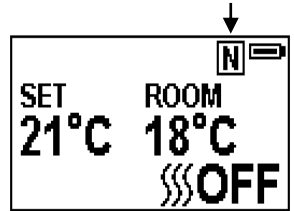
Flame Effect

- R4 Press  to enter the flame effect adjustment screen.
- R5 Press the '←' and '→' button to select the 3 Kinds of flame effect.
- R6 Press the '+' and '-' button to select the 5 brightness of flame effect and OFF settings.



Normal Mode


- R7 Normal control mode is factory set. If it is not, then press **M** button until the logo **N** shows up at the upper right corner of the screen.
- R8 Press the '+' and '-' button to adjust the temperature setting from 17°C to 25°C by 2 degree intervals.
- R9 Press  **A** button to turn on / off the heat,  ON、 OFF will show at the lower of the screen.

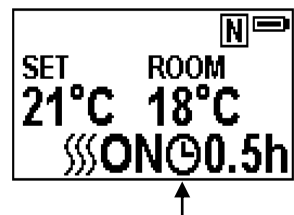


NOTE: It is normal for the fan heater to stop running for periods of time. This happens because the room temperature is at or above the temperature set on the remote control. The heater indicator will be turned off after 10s if you have the flame ON. The heater indicator will stay ON if you use the heating function only.

Count Down Timer


NOTE: This setting is only for normal mode. It allows the appliance to go into standby after a set period of time.

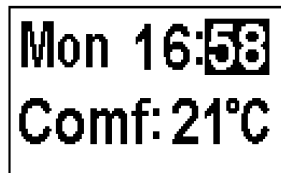
- R10 Press  to cycle through the settings from Off and 0.5 hours to 9 hours. The timer logo and time will show on the screen. **The heater must be in the ON position.**



The heater can be automatically run by using daily timer and weekly timer on the remote.

Set up Day, Time and Comfortable temperature.

- R11 Press  to turn on the remote handset. Hold the button **M** for 3 seconds to enter the setting screen.
- R12 Press the '←' and '→' button to choose Day, Time or your comfortable temperature. The character selected will be highlighted.
- R13 Pressing the '+' and '-' button will adjust the number.
- Time: 24-hour system
 - Select your comfortable temperature from 15-25°C.
 - Temperature unit: °C、°F





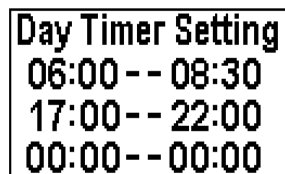
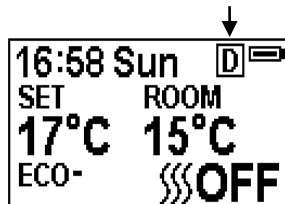
Daily Timer Heating

- R14 The following are preset heating periods, which can be altered if desired

06:00 until 08:30


17:00 until 22:00

- R15 Press **M** until **D** shows at the upper right corner of the screen, then enter the daily timer heating mode.
- R16 Hold the arrow symbol button  for 6 seconds to enter The daily timer setting. Max 3 timed Heating periods per day.
- Press '←' or '→' to choose hour or minute, press '+' or '-' to set the time.
 - Minute will increase/decrease by 15 minutes per press.
 - Hold  for 3 seconds or wait for 10 seconds to save and exit the heating time period setting.



R17 Adjusting the set temperature

- Press the '+' or '-' button to increase or decrease the set temperature on the basis of your comfortable temperature setting.
- ECO means 2°C lower than your comfortable temperature setting,
ECO- means 4°C lower,
COMF+ means 2°C higher,
COMF++ means 4°C higher.

R18 To check your daily timer settings press .

R19 If heating needs to be turned off, it will be necessary to go back to the Normal Mode to turn off.

Week Timer Heating

R20 The following are preset heating periods, which can be altered if desired.

From Monday to Friday

06:00 until 08:30


17:00 until 22:00


From Saturday to Sunday


06:30 until 09:30

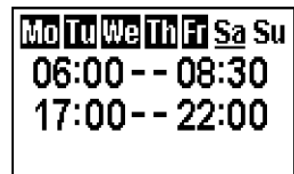
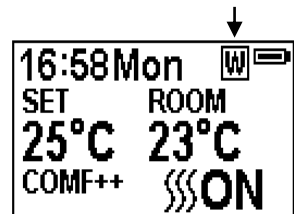
11:00 until 13:00

17:00 until 22:00

R21 Press **M** until  shows at the upper right corner of the screen, then enter the week timer heating mode.

R22 Hold  button for 6 seconds to enter the week timer setting.

- Press '←' or '→' to move the cursor (a flashing underline), press the  button in the corresponding week position to select (the character is highlighted) or cancel (the character is displayed normally) the current setting. Several days can be selected together.



- Press the '→' button to move the cursor to the time period setting area. Press '←' or '→' to choose hour or minute, press '+' or '-' to set the number.
- Max 3 heating periods for a day.
- Minute will increase / decrease by 15 minutes per press.
- Press the ↵ to set the heating time for the selected day(s) and return to the week line.
- Hold ↵ for 3s or wait for 10s to save and exit the heating time period setting.

Mo	Tu	We	Th	Fr	Sa	Su
06:30	--	09:30				
11:00	--	13:00				
17:00	--	22:00				

R23 Press ↵, '←' and '→' to check your week Timer settings.

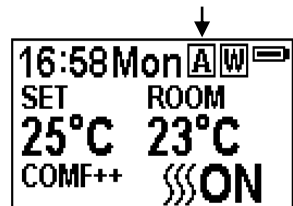
R24 If heating needs to be turned off, it will be necessary to go back to the Normal Control Mode to turn off.

Advance Mode

R25 Under the daily and week timer mode, Press ≡ A:

R26 To turn the heater off when the heater is on during a preset heating period.

R27 To turn the heater on when the heater is off in between preset heating periods.



Adaptive Start Control

R28 According to room temperature and set temperature, the heater will automatically come on in time to heat the room to the set temperature at the set time. For example, if your timer is set to start at 18:00 and temperature is set to 23°C, the fire will come on at 17:30 to ensure the room is 23°C at 18:00.

Window Open Detection

R29 When the transmitter detects a rapid drop in room temperature, it will be judged as a




window open, the warning icon will be displayed and the heating will be turned off automatically.

R30 After the indoor temperature has risen or a manual override of the warning (by operating remote control) has been done, the fire will return to normal working state.

Set up the communication between the remote and appliance

R31 The below operations should be carried out before programming, when changing to a new remote or in the event the appliance cannot be controlled by the remote:


- Hold the reset button on the appliance for 3 seconds (pen Point may needed) until you hear 3 short beeps from the unit, release the button.
- Press the  button on the remote, the programming is finished when you hear 1 long beep from the appliance.

R32 Resetting the code for remote control is necessary if the appliance operates wrongly or the remote control does not operate correctly.




- Open the back cover of the remote control.
- Press the Reset button on remote handset.
- Follow the steps R31

Remote Control Battery Replacement

When the batteries are at full power, the battery symbol will show 

When the batteries are half full, the battery symbol will show 

When the batteries are out of power and need replacing immediately, the battery symbol will show 

Battery replacement is recommended after 1 year. The batteries are 1.5V alkaline AAA, batteries.

Dispose of old batteries at an appropriate recycling facility.

Safety Thermal Cut-out and Thermal Link:

This appliance is fitted with an Electric Safety Control (E.S.). This is a safety device, which switches off the fire if, for any reasons, the appliance overheats. The E.S. Control can only be re-set after the appliance has cooled down, in Order to re-set the E.S. Control, proceed as follows:

- Switch off the appliance. Unplug at wall socket and leave for approximately 15 minutes.
- Plug in switch on appliance and the E.S. Control will re-set.

Ensure that the appliance is functioning correctly. If the E.S. Control switches off again it is advisable to have the appliance checked by a competent electrician.

CAUTION: In order to avoid a hazard due to inadvertent resetting of the thermal cut out, this appliance **must not be** supplied through an external switching device, such as a timer, or connected to a circuit that is regularly switched on and off by the utility.

Maintenance:

WARNING: - Before undertaking any maintenance or cleaning, ensure appliance is disconnected from mains supply. Only competent persons should service / repair appliance.

WARNING: There are no internal user serviceable parts, i.e. bulbs, in this product. Under no circumstance should access be gained to the internal parts other than by a suitably qualified person.

Please note: - If the supply cord on this appliance is damaged it must be replaced by the manufacturer, Authorised Service Agent, or a qualified person to avoid hazard.

General Suite Care – not glass

To maintain the appearance of you new suite we recommend that it is dusted using a lint free cloth. NEVER use any form of abrasives or a DAMP cloth on the surround.

The area around the fire should be kept free of any materials such as lint or house dust (i.e. animal hair/ carpet fibres) that could be drawn into the internal workings of the appliance and hence affect the performance. We recommend that you clean around the fan grille housing at regular intervals. This can be done using standard vacuum cleaner and suitable attachment.

Glass Care

Periodically it may be necessary to remove the glass screen for cleaning, this is achieved by first disconnecting the appliance from the mains supply, then remove the brackets in the top left and right hand corner of the glass screen by unscrewing the 4 screws (2 per side) whilst supporting the glass from the front. With the brackets removed, lift the glass panel upwards and towards to remove the panel from the fire. And place in a clean, soft, safe location for cleaning. When cleaning the glass panel use a slightly damp cloth. Do not use washing powders or any other substance containing abrasives since these substances scratch glass. Refitting is the reversal of this procedure.

Control PCB	Remote Control Receiver	Remote Control Transmitter
Hardware: RC01-040A06 Software: 20171102	Hardware: RF290B V1.2	Frequency: ASK/OOK 433.92MHZ Maximum transmit power: 10mW Hardware:RF290A-TX-V1.3 Software: RF290A_C_V2.4.0.hex

ELECTRIC FIRE GUARANTEE

Be Modern Group (the 'Company') provide a twelve month guarantee in respect of electric fire (the 'Product') ranges.

1. The twelve month Guarantee applies to:

- All 'Products' in the ranges manufactured by the 'Company' (but subject to exceptions below); where
- The 'Product' has been purchased and installed within the UK and in respect of:-
- The initial installation; and in favour of
- The original Purchaser

2. Proof of purchase must be retained by the Purchaser

3. The twelve month Guarantee does not apply to:

- Damage or inferior workmanship practices while the 'Product' is being installed
- Damage caused by the mis-use of the 'Product' or where normal standards of care and use have not been complied with
- Damage through a malfunction or an inadequately installed electric fire
- Damage or defects due to, mis-use, accident or unauthorised alterations
- During the twelve month after the 'Product' has been supplied, the Guarantee covers the making good (whether by repair or replacement at the company's option) of defects arising from defective manufacture of materials of 'Product' covered in paragraph (1), all at no cost to the Purchaser

This Guarantee does not affect your statutory rights

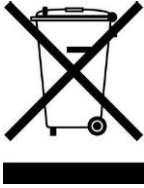
On requiring service contact the retailer who supplied your product who will assist you and advise you as necessary.

Be Modern Group, Customer Services

Tel (0191) 430 0901

Fax (0191) 430 9522

Environment



Meaning of crossed –out wheeled dustbin:

Electrical appliances should not be disposed as unsorted municipal waste. Separate collection facilities should be used in the disposal of electrical appliances. Contact your local government for the information about the available collection systems. If electrical appliances are disposed of in landfills or dumps, hazardous substances can leak into the groundwater and get into the food chain, damaging your health and well-being. When old appliances are replaced by the new ones, it is a legal obligation for the retailer to take back the old appliance for disposals at least free of charge.



This fire complies with the Safety Standards EN 60335-1 and EN 60335-2-30 which covers the essential requirements of the Low Voltage Directive 2014/35/EU and the EMC standards EN 55014-1; EN 55014-2; EN 61000-3-2 and EN 61000-3-3 which covers the essential requirements of the European Electro Magnetic Compatibility 2014/30/EU, and the RED standards EN300220-2, EN301489-1, EN301489-3 and EN6247 which covers the essential requirements of the European Radio Equipment Directive 2014/53/EU.



RoHS stands for Restriction of Hazardous Substances, and impacts the entire electronics industry and many electrical products as well. The Restrictions of the Use of Certain Hazardous Substances in Electrical and Electronic Equipment Regulations 2012, originated in the European Union in 2002 and restricts the use of six hazardous materials found in electrical and electronic products. All applicable products in the EU and UK market since July 1, 2006 must pass RoHS compliance.

3.EF.199.05.003 A/1